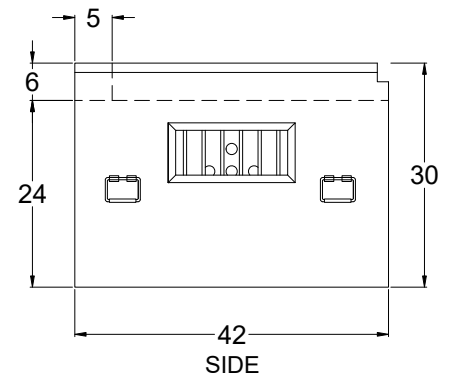
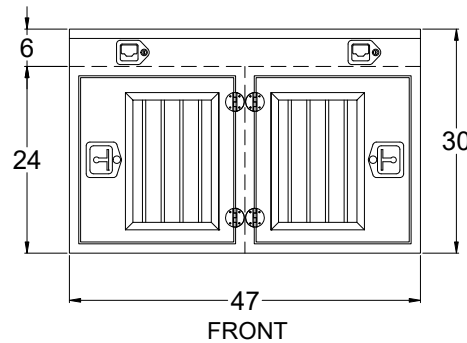
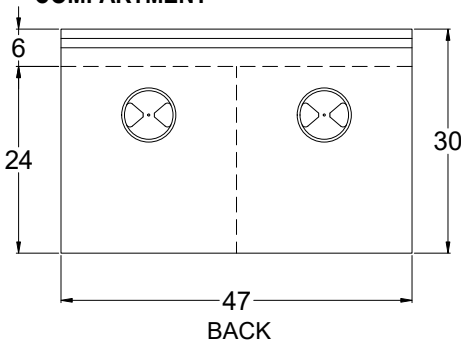
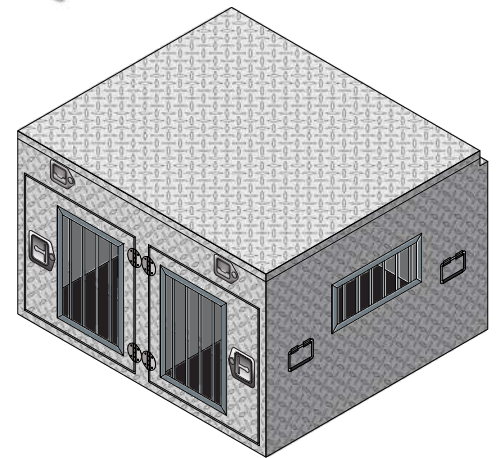
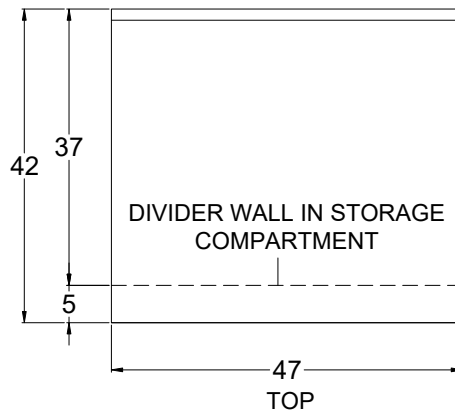




- SLIDE IN COVER PANELS FOR SIDE VENTS AND DOORS
- (2) BUTTERFLY VENTS ON REAR, (1) PER HOLE
- RUBBER MATS
- HOLES IN CENTER DIVIDER
- 6" T TOP STORAGE
- DIVIDER WALL IN STORAGE COMPARTMENT



DIAMOND PLATE

**CALL FOR PRICE
1-800-446-1407**